

Universal
Components
Inc.



Electric
Actuators



ELECTRIC ACTUATORS

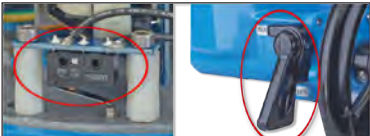


FEATURES:

- VO Self Extinguishing Class Techno-Polymer or Metal Housing available upon request
- All Actuators IP67 (VB015 IP65)
- Heater Thermostat Standard
- Manual Override Standard
- Two Auxiliary Limit Switches Standard
- Battery Backup or 4-20mA Positioner Optional
- Mounting Patterns ISO 5211



- Captive Cover Bolt on Metal Housing
- Easier Upper Cover Opening



- Snap Switch (VB110M-VB350M only)
- Manual Override (VB110M-VB350M only)



- LED indicator: power on (green), actuator working (yellow), fault (red)



- Heater on control board guarantee the right internal temperature



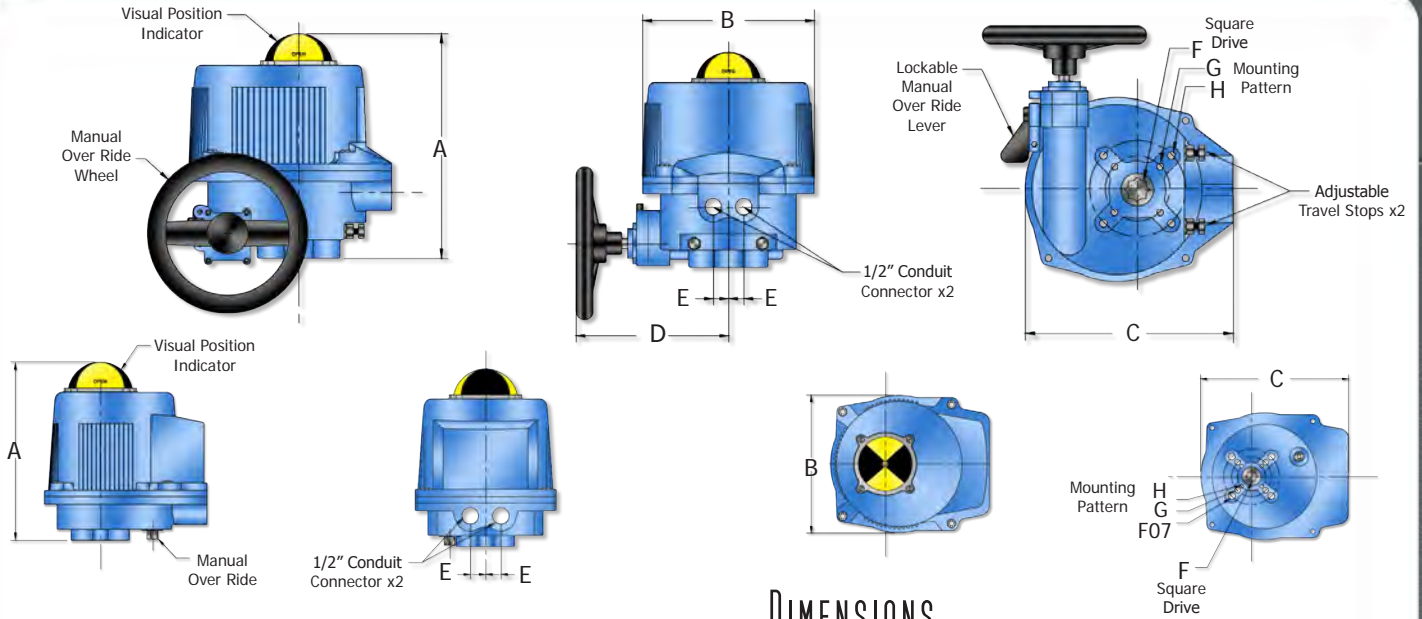
- Position Cams:
Black Cams, limit switches open/close adjustment
Blue Cams, extra limit switches for open/close adjustment



No.	Description
1	DC Motor
2	Control Board
3	Power Supply Board
4a	Aluminum Alloy Enclosure
4b	Technopolymer Enclosure
5a	Dome Position Indicator
5b	Position Indicator
6a	Aluminum Manual Handwheel
6b	Polymer Manual Handwheel
7	Mechanical End Stops
8	PG11 Electrical Connections



ACTUATORS DIMENSIONS

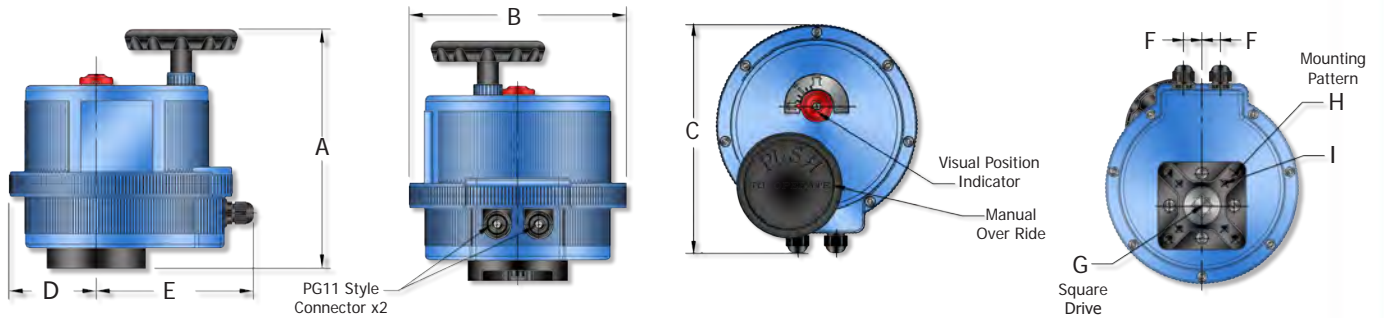


DIMENSIONS

VOLTAGE OPIONS

115V = 115VAC
240V = 240VAC
012D = 12VDC
024D = 24VDC

Model	A	B	C	D	E	F	G	H	Torque in/Lbs	Wt.
VB030M****	8.03	6.33	7.34	-	0.69	0.43	F03	F05	266	7.30
VB060M****	8.72	6.94	7.82	-	0.69	0.55	F05	F07	530	9.90
VB110M****	9.65	7.69	8.70	6.83	0.69	0.67	F07	F10	975	18.7
VB190M****	9.65	7.69	8.70	6.83	0.69	0.67	F07	F10	1680	18.7
VB270M****	9.80	8.43	9.30	6.83	0.69	0.87	F07	F10	2390	20.9
VB350M****	9.80	8.43	9.30	6.83	0.69	0.87	F07	F10	3100	20.9



DIMENSIONS

VOLTAGE OPIONS

115V = 115VAC
240V = 240VAC
012D = 12VDC
024D = 24VDC

Model	A	B	C	D	E	F	G	H	I	Torque in/Lbs	Wt.
VB015****	5.57	4.88	6.55	1.69	4.74	0.63	0.43	F03	F05	133	3.09
VB030****	7.39	6.19	7.48	2.38	5.10	0.71	0.43	F03	F05	266	5.07
VB060****	8.46	7.28	8.42	2.66	5.76	0.71	0.55	F05	F07	530	7.28
VB110****	9.24	8.31	9.48	3.37	6.09	0.80	0.67	F07	F10	975	10.80
VB190****	9.24	8.31	9.48	3.37	6.09	0.80	0.67	F07	F10	1680	10.80
VB270****	9.30	8.74	9.87	3.11	6.77	0.80	0.55	F05	F07	2390	13.23
VB350****	9.30	8.74	9.87	3.11	6.77	0.80	0.55	F05	F07	3100	13.23



ACTUATOR SPECIFICATIONS

MODEL		VB015	VB030	VB060	VB110	VB190	VB270	VB350
			VB030M	VB060M	VB110M	VB190M	VB270M	VB350M
Torque (Max Working/in-Lbs)		133	266	530	975	1680	2390	3100
Voltage	Low Voltage	12V AC/DC	12V AC/DC	12V AC/DC	12V AC/DC	12V AC/DC	12V AC/DC	12V AC/DC
		24V AC/DC	24V AC/DC	24V AC/DC	24V AC/DC	24V AC/DC	24V AC/DC	24V AC/DC
	Multivoltage	100-240V AC	100-240V AC	100-240V AC	100-240V AC	100-240V AC	100-240V AC	100-240V AC
Working Time (sec)		10	8	8	27	27	50	50
Torque Limiter		Std.	Std.	Std.	Std.	Std.	Std.	Std.
Duty Rating	12V AC/DC	50%	50%	50%	50%	50%	50%	50%
	24V AC/DC	75%	75%	75%	75%	75%	75%	75%
	100-240V AC							
Protection (IP rating/UL)		IP65/type4	IP65/type4	IP65/type4	IP65/type4	IP65/type4	IP65/type4	IP65/type4
Enclosure	Plastic	Technopolymer	Technopolymer	Technopolymer	Technopolymer	Technopolymer	Technopolymer	Technopolymer
	Metal		Aluminum	Aluminum	Aluminum	Aluminum	Aluminum	Aluminum
Rotation		90°	90°	90°	90°	90°	90°	90°
Upon Request		180°	180° or 270°	180° or 270°	180° or 270°	180° or 270°	180° or 270°	180° or 270°
Manual Override		Std.	Std.	Std.	Std.	Std.	Std.	Std.
Position Indicator		Std.	Std.	Std.	Std.	Std.	Std.	Std.
Working Temperature		-4° to 131°F	-4° to 131°F	-4° to 131°F	-4° to 131°F	-4° to 131°F	-4° to 131°F	-4° to 131°F
Heater		Std.	Std.	Std.	Std.	Std.	Std.	Std.
Mounting Pattern ISO5211		F03 - F05	F03 - F05	F05 - F07	F07 - F10	F07 - F10	F07 - F10	F07 - F10
Fail Safe (battery back-up)		N/A	Available	Available	Available	Available	Available	Available
			not available on the 12v model					
Positioner (4-20mA or 0-10vdc)		N/A	Available	Available	Available	Available	Available	Available
Standard On/Off		Available	Available	Available	Available	Available	Available	Available
Electrical Connection	Plastic	PG11	PG11	PG11	PG11	PG11	PG11	PG11
	Metal	1/2" NPT x2	1/2" NPT x2	1/2" NPT x2	1/2" NPT x2	1/2" NPT x2	1/2" NPT x2	1/2" NPT x2
Weight	Plastic	3.09	5.07	7.28	10.80	10.80	13.23	13.23
	Metal	N/A	7.30	9.90	18.7	18.7	20.9	20.9

POWER CONSUMPTION															
MODEL		VB015	VB030	VB060	VB110	VB190	VB270	VB350							
			VB030M	VB060M	VB110M	VB190M	VB270M	VB350M							
Multi Voltage	Nominal Voltage	100-240V AC													
	Absorbed Current	0.3-0.19 A	0.4-0.2 A	0.6-0.3 A	0.4-0.2 A	0.6-0.3 A	0.6-0.3 A	0.75-0.4 A							
	Absorbed Power	30-46 VA	40-48 VA	60-72 VA	40-48 VA	60-72 VA	60-72 VA	75-96 VA							
Low Voltage	Nominal Voltage	12V AC/DC	24V AC/DC	12V AC/DC	24V AC/DC	12V AC/DC	24V AC/DC	12V AC/DC	24V AC/DC	12V AC/DC	24V AC/DC	12V AC/DC	24V AC/DC	12V AC/DC	24V AC/DC
	Absorbed Current	1.2 A	0.6 A	2.2-1.8 A	1-0.7 A	3.8-2.8 A	1.8-1.2 A	2.2-1.8 A	1-0.7 A	3.8-2.8 A	1.8-1.2 A	3.8-2.8 A	1.8-1.2 A	4.7-3.6 A	1.9-1.6 A
	Absorbed Power	15 VA		26.5-22 VA	24-17 VA	46-34 VA	43-29 VA	26.5-22 VA	24-17 VA	46-34 VA	43-29 VA	46-34 VA	43-29 VA	57-44 VA	47-40 VA
Frequency		50/60 HZ													